

DATA SHEET

Premium Efficiency Motor: **ODP125-36-404TS,**

60 Hz

WorldWide Electric Corporation

1 (800) 808-2131

Worldwideelectric.net



Document Generated: 31-Mar-2025
Document ID:

Customer:

MOTOR INFORMATION	
HP	125
RPM	3600
Phase	3
Frequency	60
Voltage	230/460
Frame Size	404/5TS
Enclosure	ODP
Degree of Protection	IP23
Service Factor	1.15
Poles	2
Full Load Speed	3582
Insulation Class	F
Temp Rise	80°C
NEMA Code Letter	F
Duty Cycle	S1 / Continuous
Slip	0.52%
NEMA Design	B
Moment of Inertia	15.334 lb.ft.^2
Locked Rotor Time (Hot)	12 seconds
Sound Pressure Level	89 dB(A)
Number of Starts	2 Cold / 1 Hot
Max Ambient Temperature	40°C
Max Elevation	1000 m.a.s.l (3300 f.a.s.l)
Mounting	F1
Rotation	Bi-Directional
Area of Classification	Safe Area
Inverter Rating	10:1 CT / 20:1 VT
Standard	NEMA MG 1
Approvals	UL, CE

EFFICIENCY/POWER FACTOR		
LOAD	EFF	P. F.
100%	94.1 %	0.91
75%	96.1 %	0.91
50%	95.6 %	0.87

TORQUE		
FULL LOAD	LRT	BDT
176.6 lb.ft.	275 %	315 %

AMPERAGE INFORMATION		
	230V	460V
Full Load Amps	257.6A	128.8A
Locked Rotor Amps	1709.4A	854.7A
No Load Current	52A	26A
Usable at 208V	127.61A	

BEARING INFORMATION	
DE Bearing	6316
ODE Bearing	6313
Grease Type	Mobil Polyrex EM
DE Regreasing Interval	2400 Hours
ODE Regreasing Interval	3600 Hours
Grease Quantity	26g/12g

ADDITIONAL DATA	
F2 Suitable	Yes
Shaft Material	AISI 1045
Connection Diagram	12 Lead Delta
Approximate Weight	1083 lbs.

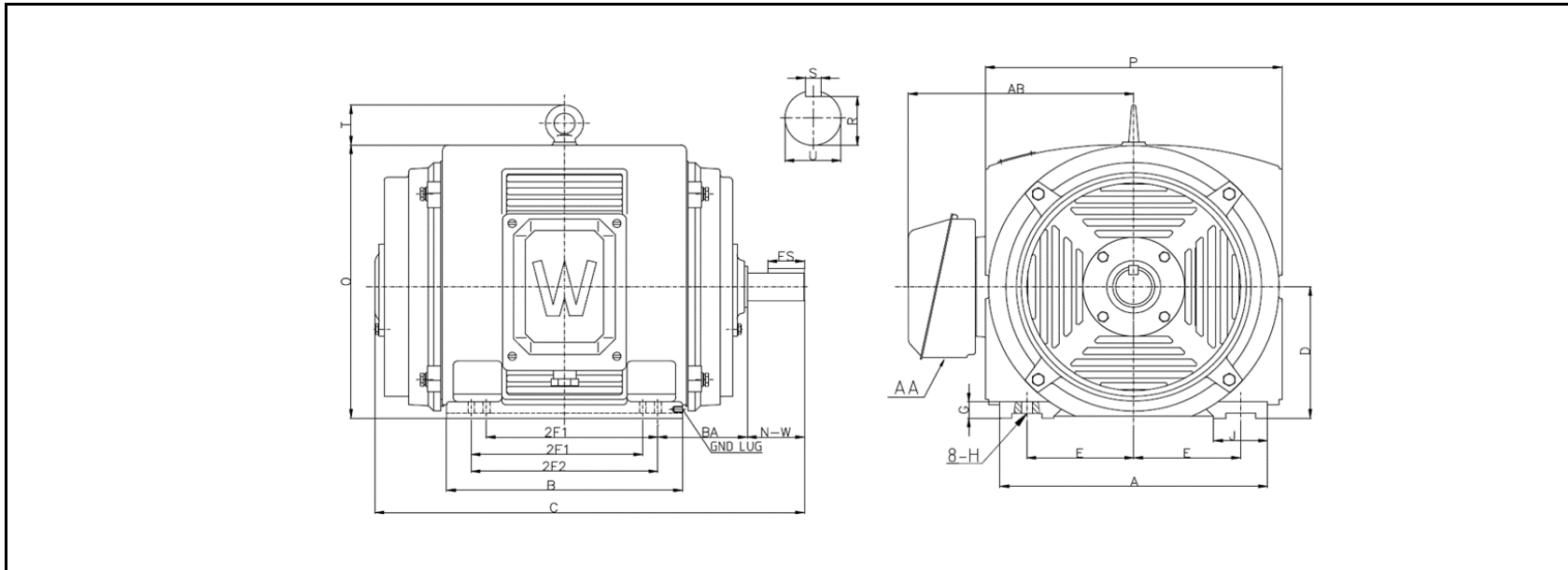
MOTOR DRAWING

Premium Efficiency Motor: **ODP125-36-404TS**

WorldWide Electric Corporation

1 (800) 808-2131

Worldwideelectric.net



DIMENSION - INCHES

MOUNTING					A	B	C	D	G	P	O	T	AB
E	2F1	2F2	H	BA									
8	12.25	13.75	0.81	6.62	20	17.6	30.7	10	1.18	21.3	20.3	3	16.93

SHAFT & KEY				
S	ES	R	N-W	U
0.5	2.78	1.845	4.25	2.125

T-BOX	GND LUG
AA	
3	M12*P1.75

PERFORMANCE CURVES

WorldWide Electric Corporation

1 (800) 808-2131

Worldwideelectric.net



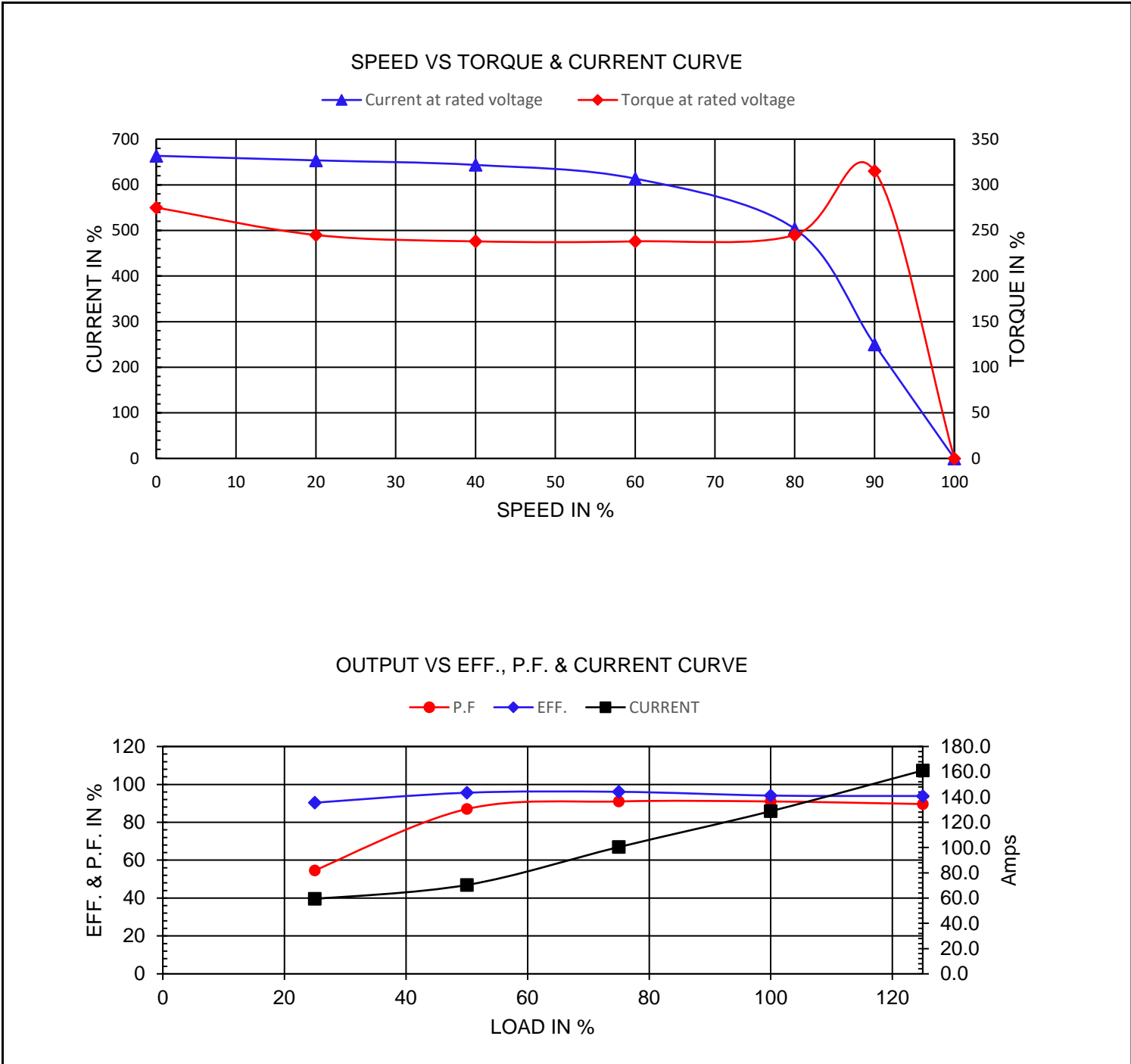
Premium Efficiency Motor:

ODP125-36-404TS

Document Generated: 31-Mar-2025
 Document ID:

Customer:

Motor Type	ODP		FL Speed	3582	
Output Rating (HP)	125		LRT (%FLT)	275	460 volt FLA 128.8
Full Load Torque	176.6	lb.ft	BDT (%FLT)	315	230 volt FLA 257.6
Rotor Wk^2	0.941	lb-ft^2			



NAMEPLATE / WIRING

WorldWide Electric Corporation

1 (800) 808-2131

Worldwideelectric.net







Premium Efficiency Motor: **ODP125-36-404TS**

Document Generated: 31-Mar-2025
Document ID:

Customer:

SAMPLE NAMEPLATE DATA

		OPEN DRIP PROOF 3 PHASE MOTOR											
Model :		Encl :		SN :		7		8		9			
HP :		Poles :		FR :		Ins :		IP23		Max Amb 40°C		Duty:Cont	
Hz :		CODE :		Hz :		Design :		6		4		5	
Volts :		P.F. :		Volts :		DE BRG :		12		10		11	
Amps :		Eff :		Amps :		ODE BRG :		1		2		3	
RPM :		S.F. :		RPM :		WT :		L1		L2		L3	
				S.F. :		Date :		230 V					
								7		8		9	
								4		5		6	
								12		10		11	
								1		2		3	
								L1		L2		L3	
								460 V					
WorldWide Electric Corporation													

Model:	ODP125-36-404TS	Encl:	ODP						
HP:	125	Poles:	2	Frame	404/5TS	Ins Cl:	F	IP	IP23
Hz:	60	Code:	F	Hz:	50	Design:	B		
Volts:	230/460	P.F.:	0.91	Volts:	190/380	DE Brg:	6316		
Amps:	257.6/128.8	Eff:	94.1%	Amps:	314.4/157.2	ODE Brg:	6313		
RPM:	3582	S.F.:	1.15	RPM:	2975	WT:	1083 lbs.		
				S.F.:	1.0				