

DATA SHEET

Premium Efficiency Motor: **ODP200-18-445TS,**

60 Hz

WorldWide Electric Corporation

1 (800) 808-2131

Worldwideelectric.net



Document Generated: 31-Mar-2025

Document ID:

Customer:

MOTOR INFORMATION

HP	200
RPM	1800
Phase	3
Frequency	60
Voltage	230/460
Frame Size	444/5TS
Enclosure	ODP
Degree of Protection	IP23
Service Factor	1.15
Poles	4
Full Load Speed	1780
Insulation Class	F
Temp Rise	80°C
NEMA Code Letter	G
Duty Cycle	S1 / Continuous
Slip	1.13%
NEMA Design	B
Moment of Inertia	50.725 lb.ft.^2
Locked Rotor Time (Hot)	12 seconds
Sound Pressure Level	90 dB(A)
Number of Starts	2 Cold / 1 Hot
Max Ambient Temperature	40°C
Max Elevation	1000 m.a.s.l (3300 f.a.s.l)
Mounting	F1
Rotation	Bi-Directional
Area of Classification	Safe Area
Inverter Rating	10:1 CT / 20:1 VT
Standard	NEMA MG 1
Approvals	UL, CE

EFFICIENCY/POWER FACTOR

LOAD	EFF	P. F.
100%	95.8 %	0.88
75%	95.6 %	0.87
50%	95.4 %	0.82

TORQUE

FULL LOAD	LRT	BDT
592.1 lb.ft.	283 %	300 %

AMPERAGE INFORMATION

	230V	460V
Full Load Amps	448.8A	224.4A
Locked Rotor Amps	2848A	1424A
No Load Current	116.2A	58.1A
Usable at 208V	253.9A	

BEARING INFORMATION

DE Bearing	6320
ODE Bearing	6316
Grease Type	Mobil Polyrex EM
DE Regreasing Interval	2400 Hours
ODE Regreasing Interval	3600 Hours
Grease Quantity	51g/33g

ADDITIONAL DATA

F2 Suitable	Yes
Shaft Material	AISI 1045
Connection Diagram	12 Lead Delta
Approximate Weight	1732 lbs.

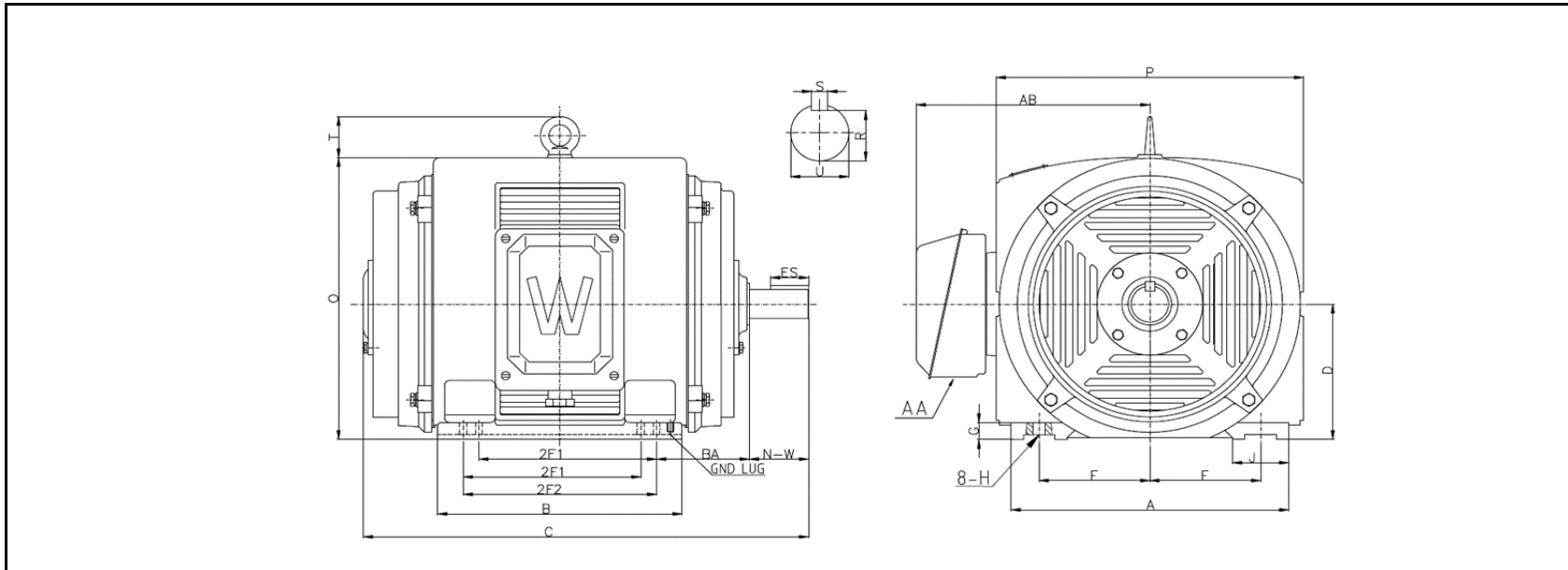
MOTOR DRAWING

Premium Efficiency Motor: **ODP200-18-445TS**

WorldWide Electric Corporation

1 (800) 808-2131

Worldwideelectric.net



DIMENSION - INCHES

MOUNTING					A	B	C	D	G	P	O	T	AB
E	2F1	2F2	H	BA									
9	14.5	16.5	0.81	7.5	22.3	22.9	35.7	11	1.37	23.42	22.7	3	20.6

SHAFT & KEY				
S	ES	R	N-W	U
0.625	3.03	2.021	4.75	2.375

T-BOX	GND LUG
AA	M12*P1.75
3	

PERFORMANCE CURVES

WorldWide Electric Corporation

1 (800) 808-2131

Worldwideelectric.net



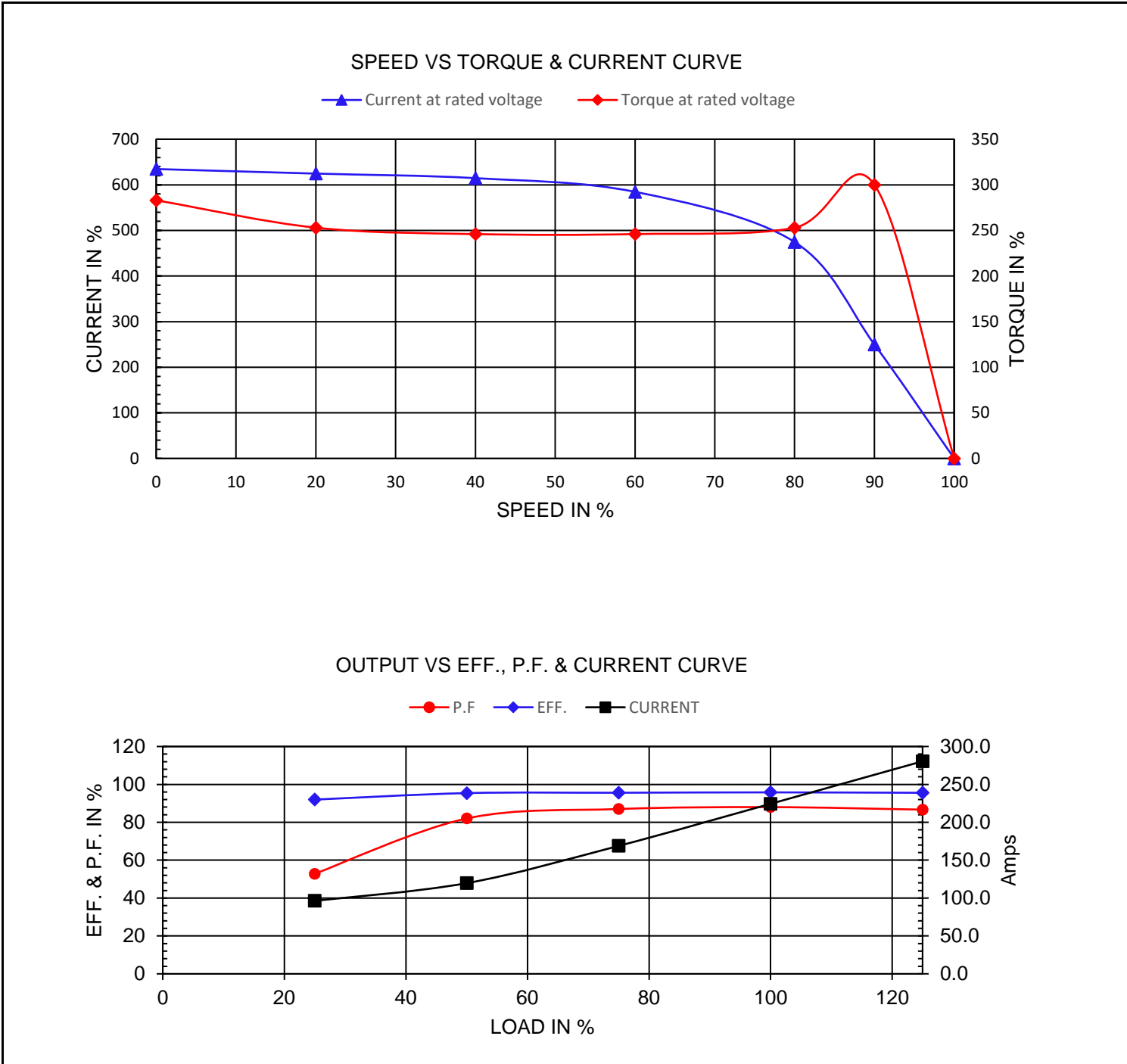
Premium Efficiency Motor:

ODP200-18-445TS

Document Generated: 31-Mar-2025
 Document ID:

Customer:

Motor Type	ODP		FL Speed	1780	
Output Rating (HP)	200		LRT (%FLT)	283	460 volt FLA 224.4
Full Load Torque	592.1	lb.ft	BDT (%FLT)	300	230 volt FLA 448.8
Rotor Wk^2	0.958	lb-ft^2			



NAMEPLATE / WIRING

WorldWide Electric Corporation

1 (800) 808-2131

Worldwideelectric.net







Premium Efficiency Motor: **ODP200-18-445TS**

Document Generated: 31-Mar-2025
Document ID:

Customer:

SAMPLE NAMEPLATE DATA

		OPEN DRIP PROOF 3 PHASE MOTOR																	
Model :		Encl :		SN :		7		8		9									
HP :		Poles :		FR :		Ins :		IP23		Max Amb 40°C		Duty:Cont		6		4		5	
Hz :		CODE :		Hz :		Design :		12		10		11		1		2		3	
Volts :		P.F. :		Volts :		DE BRG :		L1		L2		L3		230 V					
Amps :		Eff :		Amps :		ODE BRG :		7		8		9		4		5		6	
RPM :		S.F. :		RPM :		WT :		12		10		11		1		2		3	
				S.F. :		Date :		L1		L2		L3		460 V					
WorldWide Electric Corporation																			

Model:	ODP200-18-445TS	Encl:	ODP									
HP:	200	Poles:	4	Frame	444/5TS	Ins Cl:	F	IP	IP23			
Hz:	60	Code:	G	Hz:	50	Design:	B					
Volts:	230/460	P.F.:	0.88	Volts:	190/380	DE Brg:	6320					
Amps:	448.8/224.4	Eff:	95.8%	Amps:	540/270	ODE Brg:	6316					
RPM:	1780	S.F.:	1.15	RPM:	1470	WT:	1732 lbs.					
				S.F.:	1.0							